

WIDDER
pipe cutting equipment



www.highprecisioninc.com

375 Morse St., Hamden CT 06517
(203) 777-5395 (800) 525-1997

18400 Pneumatic Portable Band saw



Drive Motor: 45 cfm, 95 psi

Speed – 0-400 F.P.M Replacement Blade: 3 Ft. 8-7/8 In. x 1/2"

Cutting Size: 4.5" Round, 4.5" Square.

Safety Warnings:

Warning: This is an outline of suggested safety precautions. As with all power tools, follow generally accepted precautions for metal cutting applications.

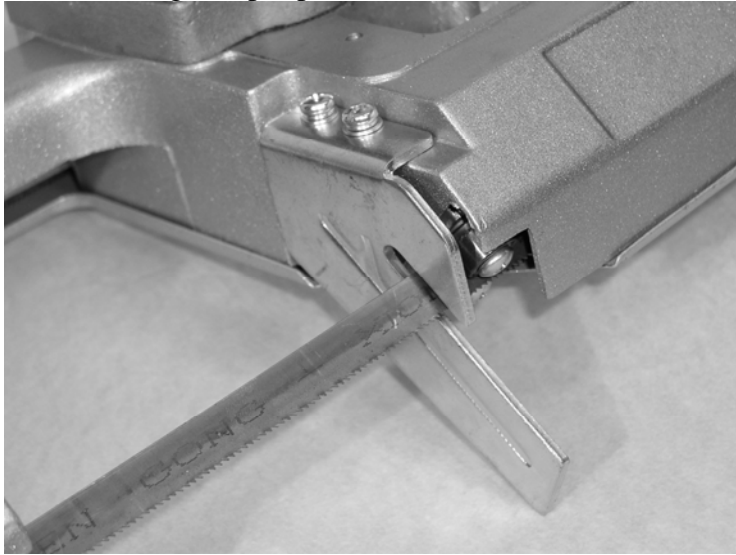
Caution – Read all warnings and operating instructions before using this or any power tool.

- 1- Clean work area thoroughly. Make sure operator has secure footing. Use tool only in a steady, secure work position.
- 2- Do not operate under the influence of drugs or alcohol. Do not operate if drowsy or ill.
- 3- Be sure work area is clear from other workers, children, or animals, or other obstructions before using this tool.
- 4- Do not operate near power lines, in wet areas or on wet applications.
- 5- Wear proper safety equipment including proper ANSI or OSHA approved safety glasses, boots, and gloves. Do not operate with any loose clothing, lines, jewelry, etc., that could become caught in the tool, blade, or workspace.
- 6- Inspect tool before each use for damaged or frayed airlines, bent or damaged.
- 7- Components, etc. Do not operate with loose or dull blade.
- 8- Do not connect to air power source power switch engaged.
- 9- Disconnect tool when not in use. Store tool disconnected. Do not attempt to inspect or service tool while connected to air power.

Tool Operating Instructions:

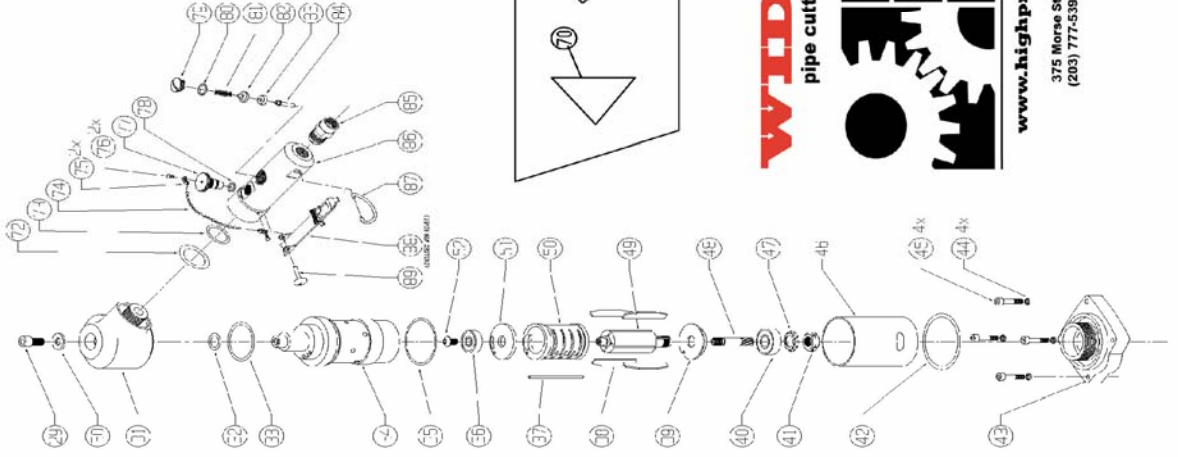
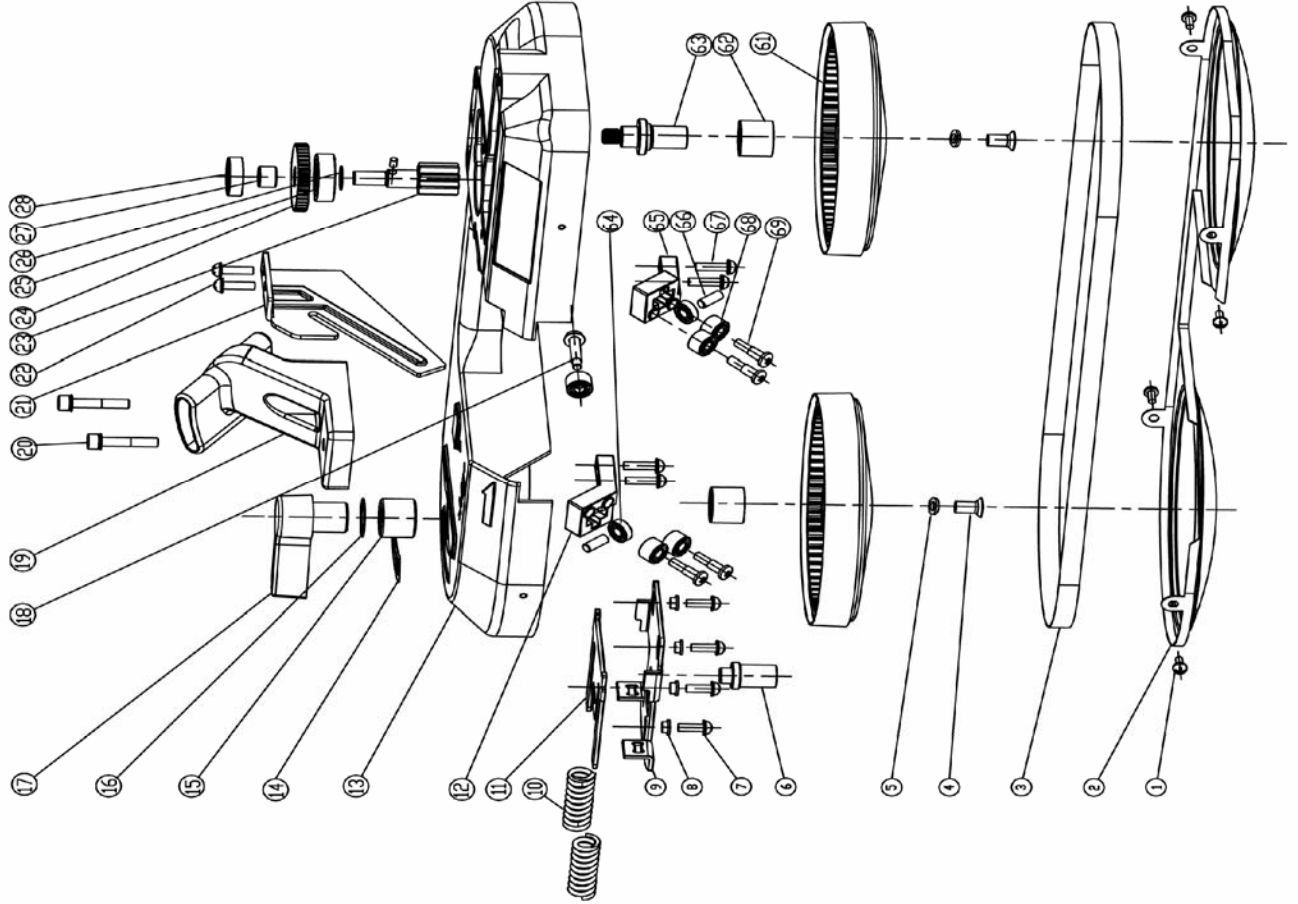
Warning: Do not connect tool to power until the following procedures are complete.
Attach blade guide before using.

- 1- Install blade guide per photo below:



- 2- Throttle position can be adjusted for comfortable use by turning motor body via the Allen cap screw on the top of the motor.
- 3- Inspect blade for damage and be sure blade is sharp. Be sure blade is in roller guides and teeth point in proper direction.
- 4- Tighten blade by flipping blade-tensioning lever – be sure the blade is in the guides and still moves smoothly.
- 5-Connect regulated/lubricated airline following all safety warnings.
- 6-Be sure work piece is secure.
- 7- Test start tool and adjust speed using throttle screw to correct operating speed in FPM based upon material type.
- 8 Place blade guide against work piece. Power the tool on by depressing the on/off switch. Place tool into cut, slowly, with blade at right angles to the work piece, using a firm grip. Do not force the tool, chips should be in the shape of small number “6”s or “9”s.
- 9 Allow tool to come to a stop before setting down.
- 10 Store with blade tension removed and tool disconnected.

Model 18400



WIDDEER
pipe cutting equipment



www.highprecisioninc.com

375 Morse St., Hamden CT 06517
(203) 777-5395 (800) 525-1997

WIDDER Pneumatic Band Saw #18400 – (MFG# 27-0001)

Item	Part #	MFG#	Description	Q/unit	Item	Part #	MFG#	Description	Q/unit	Item	Part #	MFG#	Description	Q/unit
1	18409	27-1016	Stud	4	23	18453	27-1104	Gear Shaft	1	41	18061	01-1137	Lock-nut	1
2	18480	27-1131	Cover	1	24	18510	28-1101	Gear	1	42	18414	27-1007	O-ring	1
3	18479	27-1130	Blade	1	25	18451	27-1102	Ball Bearing	1	43	18411	27-1003	Motor Adaptor	1
4&5	18469	27-1120	Screw (Ring Gear)	2	26	18450	27-1101	Stop Ring	1	44	18424	27-1014	Lock Washer	4
6/9/10/11	18464	27-0013	Spring Plate Assembly	1	27	18511	28-1102	Bushing	1	45	18725	27-1015	S.H.C.S.	4
7	18463	27-1114	Screw – M5x15	4	28	18489	27-1140	Ball Bearing	2	46	17990	01-1125	Air Motor Cover	1
8	18462	27-1113	Collar	4	29	18421	27-1013	Screw	1	47	18062	01-1138	Lock Washer	1
12	18459	27-1110	Left Guide	1	30	18420	27-1012	Washer	1	48	19005	01-1070	Pinion	1
13	18458	27-1109	Frame	2	31	18422	27-0011	Throttle Adaptor Assy.	1	49	18066	01-1097	Rotor	1
14			N/A	1	32	18416	27-1009	O-ring	1	50	18067	01-1096	Cylinder	1
15	18484	27-1135	Bushing	1	33	18415	27-1008	O-ring	1	51	18069	01-1140	Rear Plate	1
16			N/A	1	34	18423	27-0012	Motor Housing Assy	1	52	18072	01-1088	Screw	1
17	18454	27-1105	Tension Handle	-	35	18078	01-1146	O-ring	1	61&62	18468	27-1119	Pulley Assembly	2
18	18485	27-1136	Pan-head Screw	-	36	18071	02-1011	Ball Bearing	1	63	18486	27-1137	Pulley Stud - Fixed	1
19	18456	27-1107	Grip Handle	-	37	18068	01-1145	Cylinder Pin	1	64	18474	27-1125	Bearing	3
20	18457	27-1108	S.H.S.C.	2	38	18065	01-1144	Vane Set	1	65	18470	27-1121	Right Guide	1
21	18478	27-1129	Guide Bar	1	39	18064	01-1092	Front End Plate	1	66	18475	27-1126	Pin Shaft	1
22	18477	27-1128	Guide Bar Fasteners	2	40	18063	01-1084	Ball Bearing	1	67	18473	27-1124	Blade Guide Fasteners	3

