

WIDDER

pipe cutting equipment



www.highprecisioninc.com

375 Morse St., Hamden CT 06517
(203) 777-5395 (800) 525-1997

18405 “Gator” Speed Saw



PRODUCT INFORMATION AND OPERATING INSTRUCTIONS:

Description: Widder 18405 Gator Speed Saw is an Air driven, heavy-duty hack saw for cutting and demolition.

Cutting Capacity: 1&1/2” under Blade Length

Specifications: 1.5HP @ 45 CFM at optimal PSI: 105-110
1” – Variable Speed (0-1800) Stroke

Weight: 10.5 lbs.

IMPORTANT: FOR YOUR SAFETY BEFORE OPERATING THIS UNIT, READ THIS OPERATOR’S MANUAL CAREFULLY AND COMPLETELY. LEARN THE OPERATION, APPLICATIONS, AND POTENTIAL HAZARDS PARTICULAR TO THIS TOOL.

SAFETY PRECAUTIONS:

Warning: When using air tools, basic safety precautions should always be followed to reduce the risk of injury, including the following:

1. **Avoid accidental starting.**
 - Keep throttle shutoff closed when transporting or repositioning
2. **Disconnect Machine.**
 - This tool should be disconnected when not in use. If air is shutoff, tool should be discharged of any stored air pressure.
3. **Maximum Air Pressure**
 - Maximum air pressure is 135 PSI. Use clean, lubricated, regulated air.

4. Protect Airlines

- Avoid using excessive length airlines. Extended airlines reduce tool power and are a working hazard. Inspect all airlines for safe condition before use.

-

5. Maintain Tool.

- Use sharp blades and keep Saw clean for optimum performance.
- Keep handles clean, dry and free from oil and grease.
- This tool, like all air tools, will provide best performance with lubrication – use Widder Air Tool Lube for best performance

6. Do not force tool.

- Use tool pressed firmly against reaction plate. Cut should be performed with adequate force to develop chips during cutting but not so as to stall the tool under load.

7. Support work piece

- Be sure to support the work piece on both sides of any cut. An unsupported work piece can sag, pinching the blade and causing the blade to break or shatter.

8. Dress properly.

- Do not wear loose clothing or jewelry. They can be caught in moving parts.
- Work gloves and non-skid footwear are recommended.
- Wear ear protection
- Wear safety glasses.

9. Maintenance.

- Maintenance should be performed by a Widder Factory Authorized Service Representative.

10. Replacement Parts.

- When servicing use only genuine Widder replacement parts from an authorized distributor.

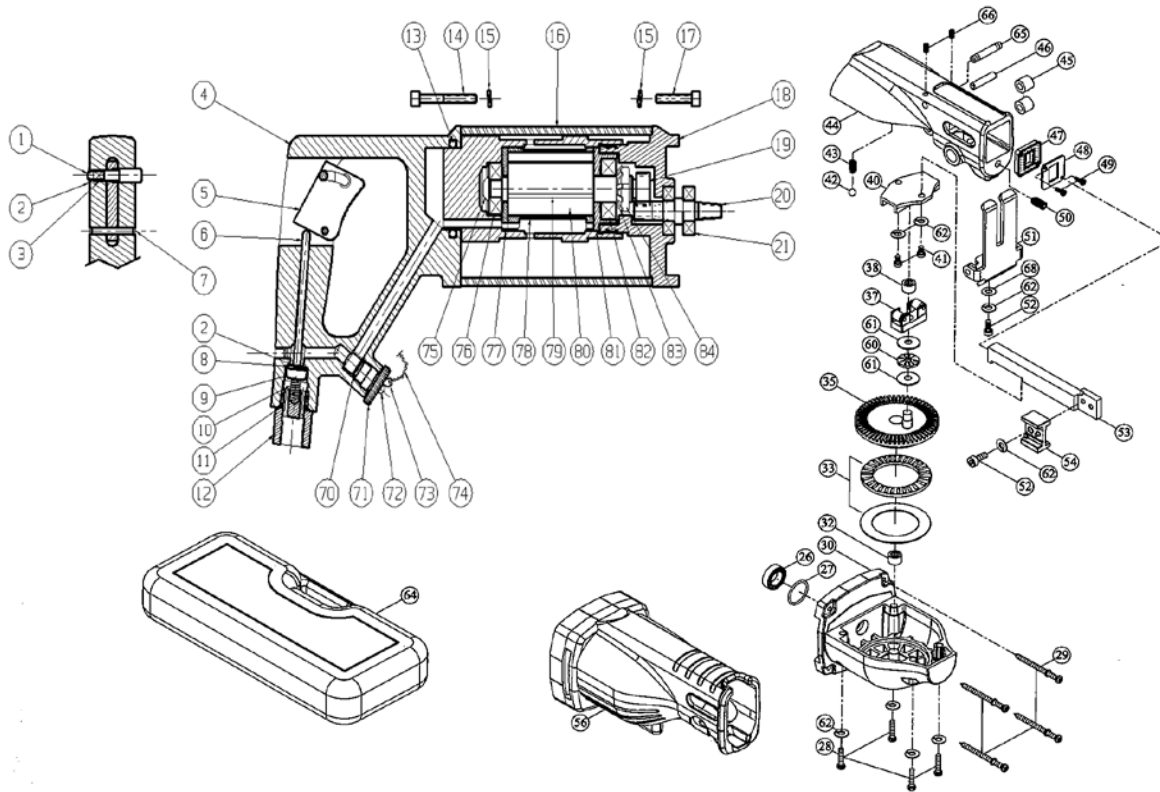
-

OPERATING INSTRUCTIONS:

Warning: Operator should be thoroughly familiar with safety precautions before attempting to operate this tool.

1. Install saw blade firmly with Lock plate and pin engaged with blade.
2. Start saw and adjust throttle speed to material speed specifications.
3. Manually feed blade into cut, applying enough pressure to produce chips shaped like small 6 or 9 shaped pieces. Adjust saw speed to compensate for load if required.
4. Keep reaction plate against work-piece. This will reduce vibration
5. If possible, apply lubricant, water, or air blast to cut. This will extend blade life, speed cutting time, and keep the blade and work piece cool.
6. **CAUTION:** no steel cutting blade can cut without the chance of heat or sparks. Do not use tool in explosive environments with out following all industry accepted practices for safe power tool and metal working operation
7. Lubricate after use. Apply small amount of air tool or water displacing light spindle oil into throttle intake, reconnect tool and run for 10 seconds before disconnecting for storage,

Model 18405



WIDDER
pipe cutting equipment



www.highprecisioninc.com

375 Morse St., Hamden CT 06517
(203) 777-5395 (800) 525-1997

WIDDER Pneumatic Speed Saw #18405 – (MFG# 33-0001)

Item	Part #	MFG #	Description	Qty	Item	Part #	MFG #	Description	Qty	Item	Part #	MFG #	Description	Qty
1	18677	33-1008	Trigger Retention Pin	1	19	18680	33-1011	Motor Gear	1	39	-	-	-	-
2	18676	33-1007	E-Clip	2	20	18681	33-1012	Double Pinion	1	40	18696	33-1140	Track	1
3	18683	33-1015	Spring (Ret. Pin)	1	21	18688	33-1021	Ball Bearing	2	41	18697	33-1141	Cap Screw (M5x12)	2
4	18670	33-0010	Handle Assy.	1	-	-	-	-	-	42	18698	33-1142	Check Ball	1
5	18673	33-1004	Trigger	1	-	-	-	-	-	43	18699	33-1143	Spring (Check Ball)	1
6	18675	33-1006	Trigger Rod	1	-	-	-	-	-	44	18700	33-1144	Housing	1
7	18678	33-1009	Pivot Pin	1	-	-	-	-	-	45	18701	33-1145	Roller	2
8	18312	STA-707	Seal	1	28	18690	33-1128	Screw (Case)	4	46	18702	33-1146	Roller Axel	1
9	18311	01-1224	Seal Cup	1	29	18685	33-1018	Cap Screw (M5x40)	4	47	18703	33-1147	Oiler	1
10	18310	STA-709	Spring (Throttle)	1	30	18691	33-1130	Gear Housing	1	48	18704	33-1148	Frame	1
11	18682	33-1014	O-Ring (Inlet)	1	31	-	-	-	-	49	18705	33-1149	Screw	2
12	18674	33-1005	Inlet Adaptor	1	32	18692	33-1132	Needle Bearing	1	50	18706	33-1150	Detent	1
13	18679	33-1010	O-Ring (Motor)	1	33	18693	33-1133	Thrust Bearing	1	51	18707	33-1151	Shoe	1
14	18685	33-1018	Cap Screw (M5x40)	4	34	-	-	-	-	52	18708	33-1152	Cap Screw (M5x16)	2
15	18686	33-1019	Lock Washer	8	35	18720	33-1135	Crank Gear	1	53	18709	33-1153	Connecting Rod	1
16	18672	33-1003	Cover	1	36	-	-	-	-	54	18710	33-1154	Blade Clamp	1
17	18684	33-1017	Cap Screw (M5x25)	4	37	18694	33-1137	Guide Assy.	1	-	-	-	-	-
18	18671	33-1002	Front End Plate	1	38	18695	33-1138	Needle Bearing	1	60	18712	33-1160	Thrust Bearing	1

