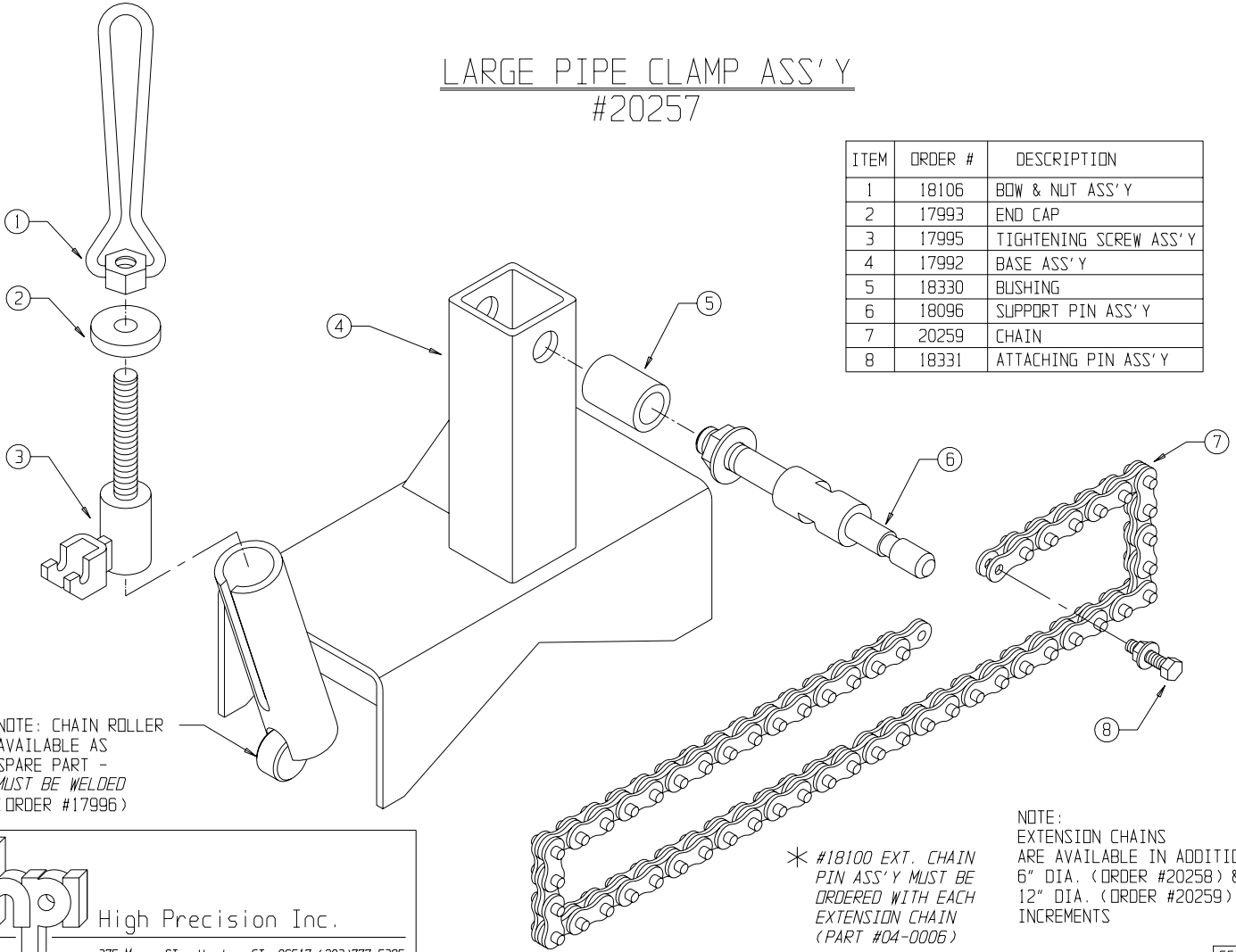


# LARGE PIPE CLAMP ASS'Y #20257

ITEM	ORDER #	DESCRIPTION
1	18106	BOW & NUT ASS'Y
2	17993	END CAP
3	17995	TIGHTENING SCREW ASS'Y
4	17992	BASE ASS'Y
5	18330	BUSHING
6	18096	SUPPORT PIN ASS'Y
7	20259	CHAIN
8	18331	ATTACHING PIN ASS'Y



NOTE: CHAIN ROLLER  
AVAILABLE AS  
SPARE PART -  
MUST BE WELDED  
(ORDER #17996)

\* #18100 EXT. CHAIN  
PIN ASS'Y MUST BE  
ORDERED WITH EACH  
EXTENSION CHAIN  
(PART #04-0006)

NOTE:  
EXTENSION CHAINS  
ARE AVAILABLE IN ADDITIONAL  
6" DIA. (ORDER #20258) &  
12" DIA. (ORDER #20259)  
INCREMENTS

**hp** High Precision Inc.  
375 Morse St., Hamden, CT. 06517 (203)777-5395

CG040195