

**WIDDER**<sup>®</sup>  
pipe cutting equipment



[www.highprecisioninc.com](http://www.highprecisioninc.com)

375 Morse St., Hamden CT 06517  
(203) 777-5395 (800) 525-1997

## 20262 - Cat 5<sup>®</sup> Pneumatic Air Mover



### **Specifications:**

**Power Source:** Compressed Air

**Weight:** 92 lbs

**Overall Length:** 12"

**Overall Diameter:** 25"

**Bolt Circle:** Standard 20" API, 4 x 1 mounting slots (Both Faces)

**Air Inlet:** 3/4" NPT, Female

**Air Input:** 30 to 110 PSI.

**Air Output:** 10,000 CFM @ 100 PSI Input

**Air Usage:** 300 CFM @ 100 PSI

**Must Use Eye and Ear Protection**

## **Safety Warnings:**

**Be sure all guards are securely in place before operating. Must be used with eye and ear protection**

**Do not attach to air supply without having unit securely bolted in place or fastened down**

**This unit is designed to use with compressed air only; do not use with mixed gases or steam**

**Do not exceed 110-PSI input**

**Unit must be grounded before use**

**Operator is responsible for all decisions and calculations regarding air movement, blower capacity, and evacuation requirements. This unit does not address any requirements regarding breathing apparatus. Unit output drops quickly in the presence of negative relative pressure between the inlet side and outlet side.**

## **Operation:**

**Mount unit using mounting slots. Be sure unit is secure and the arrows indicating airflow direction are correctly oriented.**

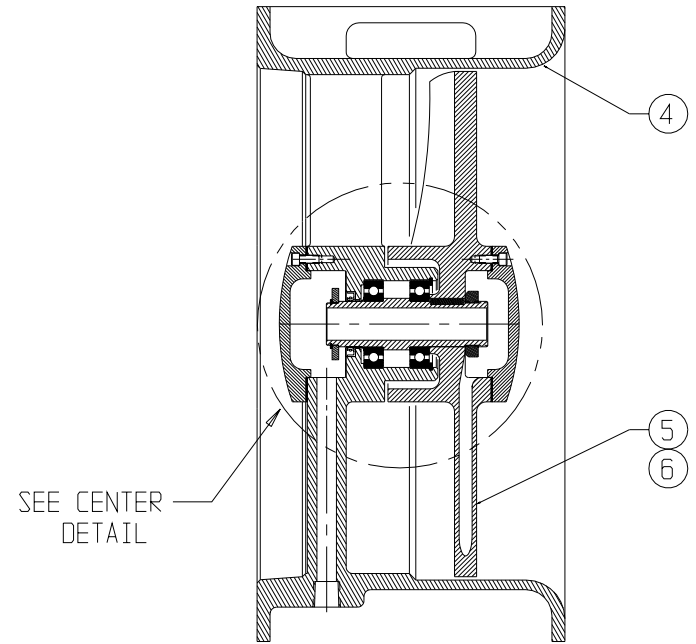
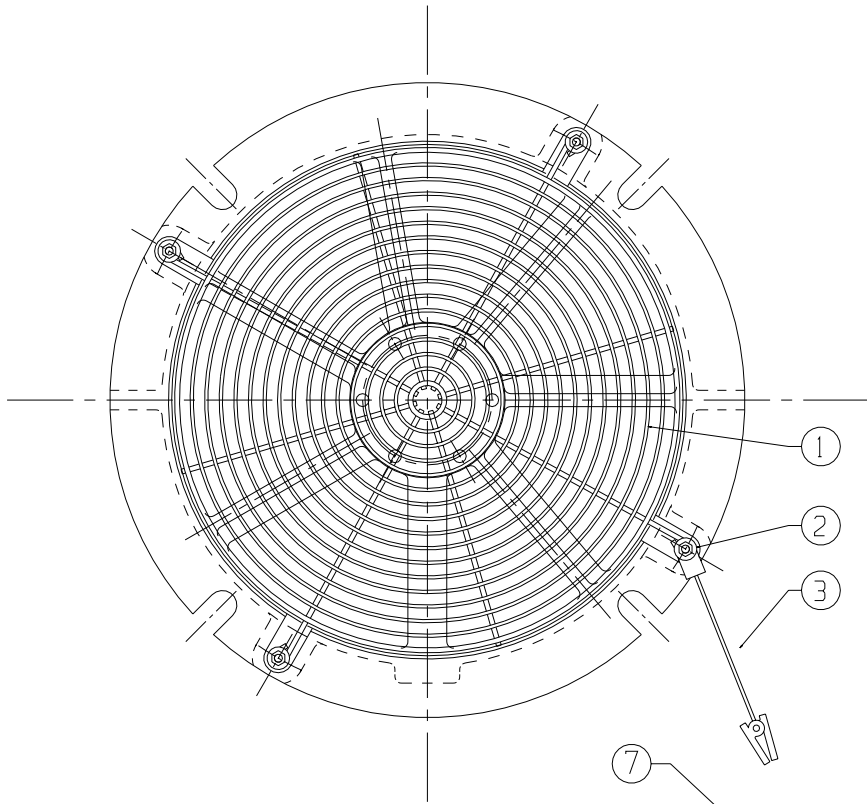
**Be sure grounding clamp is securely in place to a true ground; check ground clamp wire for good attachment to unit frame.**

**Be sure 3/4" NPT inlet line is securely installed.**

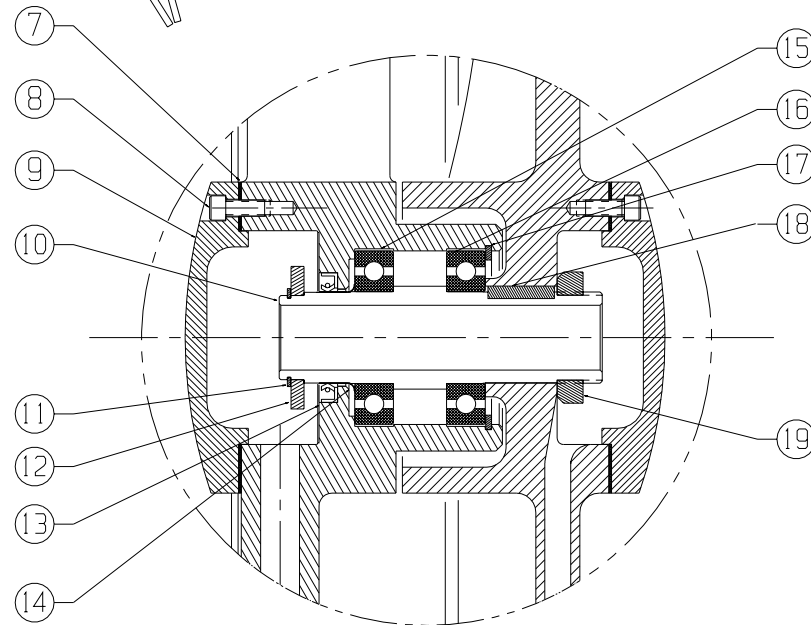
**Apply direct line pressure of up to 110 PSI.**

**De-energize and disconnect air power before attempting to move, adjust, or service unit.**

# #20262 CAT5 AIR MOVER FAN



SEE CENTER  
DETAIL



CENTER DETAIL

## 20262 (06-0001) - CAT5 - Air Mover Fan - Break Down

Item#	Customer#	Manufacturer Part#	Description	Qty/Unit
1	20201	06-1004	Screen	2
2	20202	06-0010	Screen Fastener Set	8
3	20203	06-0011	Ground Clip Assy	1
4	20204	06-1001	Body	1
5	20205	06-0012	Fan Blade Assy	1
6	20206	06-1006	Venturi Tip	2
7	20207	06-1007	Gasket	2
8	20208	06-1024	End Cap Bolts	12
9	20209	06-1003	End Cap	2
10	20210	06-1005	Shaft	1
11	20211	06-1015	Retaining Ring, Shaft	1
12	20212	06-1013	Shaft Retainer	1
13	20213	06-1010	Shaft Seal	1
14	20214	06-1011	Wear Sleeve	1
15	20215	06-1009	Tolerance Ring	2
16	20216	06-1008	Ball Bearing	2
17	20217	06-1014	Retaining Ring, Housing	1
18	20218	06-1016	Key	1
19	20219	06-1012	Shaft Nut	1