

Always On Target And Safe

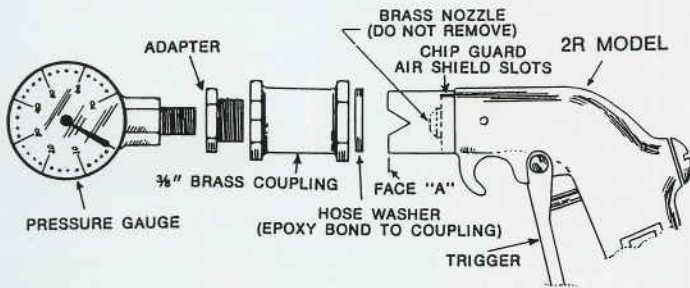


Top Quality Engineering & Manufacturing



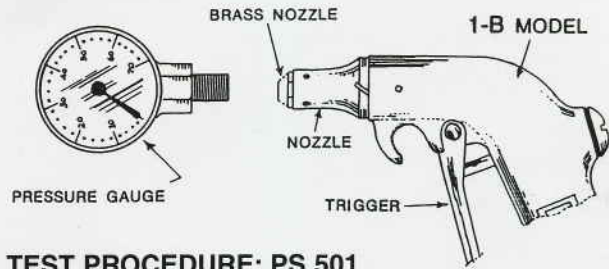
SAFETY TEST SPECIFICATIONS FOR 2-R and 1-B BLOW GUNS

PER OSHA OCCUPATIONAL SAFETY and HEALTH STANDARD



TEST PROCEDURE: PS 502

1. ASSEMBLE GAUGE, ADAPTER, COUPLING & WASHER TO FORM A LEAKPROOF ASSEMBLY AS SHOWN
2. ATTACH SAF-T-AIR MODEL 2-R BLOW GUN TO AIR LINE PER OPERATING INSTRUCTION SHEET
3. SQUEEZE TRIGGER TO INSURE OPERATION
4. POSITION HOSE WASHER OF LEAKPROOF GAUGE ASSEMBLY AGAINST FACE "A" OF BLOW GUN
5. WHILE FIRMLY PRESSING GAUGE ASSEMBLY AGAINST BLOW GUN FACE "A", SQUEEZE TRIGGER TO FULL OPEN POSITION AND READ PRESSURE AVAILABLE AT FACE "A" ON GAUGE



TEST PROCEDURE: PS 501

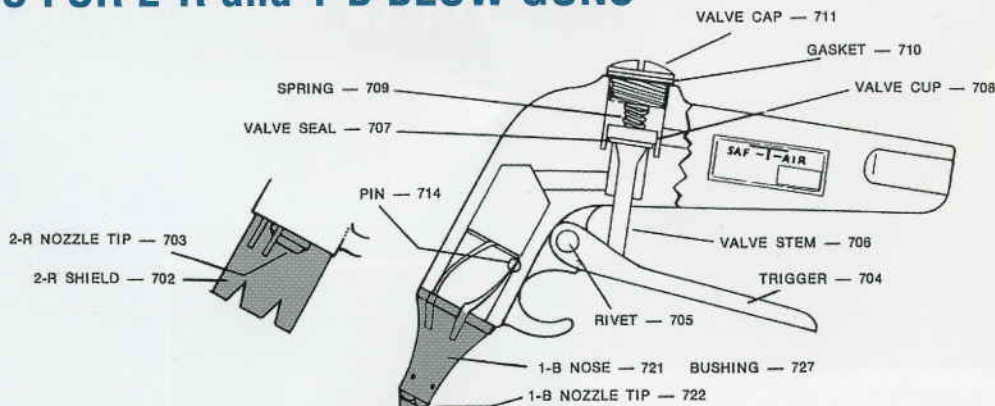
1. REMOVE BRASS NOZZLE
2. SCREW THE PRESSURE GAUGE INTO THE NOZZLE END
3. ATTACH 100 PSI MAX. AIR LINE TO ASSEMBLY
4. SQUEEZE TRIGGER TO FULLY OPEN THE BLOW GUN VALVE, THEN READ PRESSURE AVAILABLE AT OUTLET PRESSURE GAUGE

THESE GUNS MEET ALL THE FOLLOWING OSHA CODES!

OSHA CODES

1. PRESSURE 1910.242B (Also, Program Directive No. 100-1) AT THE OUTPUT END OF THE GUN THE PRESSURE DOES NOT EXCEED 30 P.S.I.
2. NOISE 1910.95 — FOR INTERMITTENT USE ON NORMAL SHOP AIR LINES PRESSURE, THIS GUN WILL MEET THE CODE.
3. EYE & FACE PROTECTION 1910.133 — USE SUITABLE PROTECTOR WHILE DOING OR PERFORMING WORK FOR HAZARDOUS FLYING OBJECTS. (Has chip guard air shield preventing chip flyback.)

PARTS FOR 2-R and 1-B BLOW GUNS



The SAF-T-AIR blow gun is designed to give years of safe service with a minimum of attention.

New replacement parts are available in kit form. KIT 700 has the following parts:



- 707 — Valve Seal
- 709 — Spring
- 710 — Gasket

Other parts are available on request. Nozzle Tip, Valve Cup and Valve Stem.



375 MORSE STREET
PO BOX 6157
HAMDEN, CT 06517

PHONE 203 777-5395 • FAX 203 773-1976

On Target With An Extra Measure Of Protection

Rugged, safe, and dependable, SAF-T-AIR® blow guns have been specifically engineered to meet OSHA and all other safety standards for compressed air cleaning. You can be confident that your SAF-T-AIR® Blow Gun will give you years of safe reliable service with minimal maintenance.

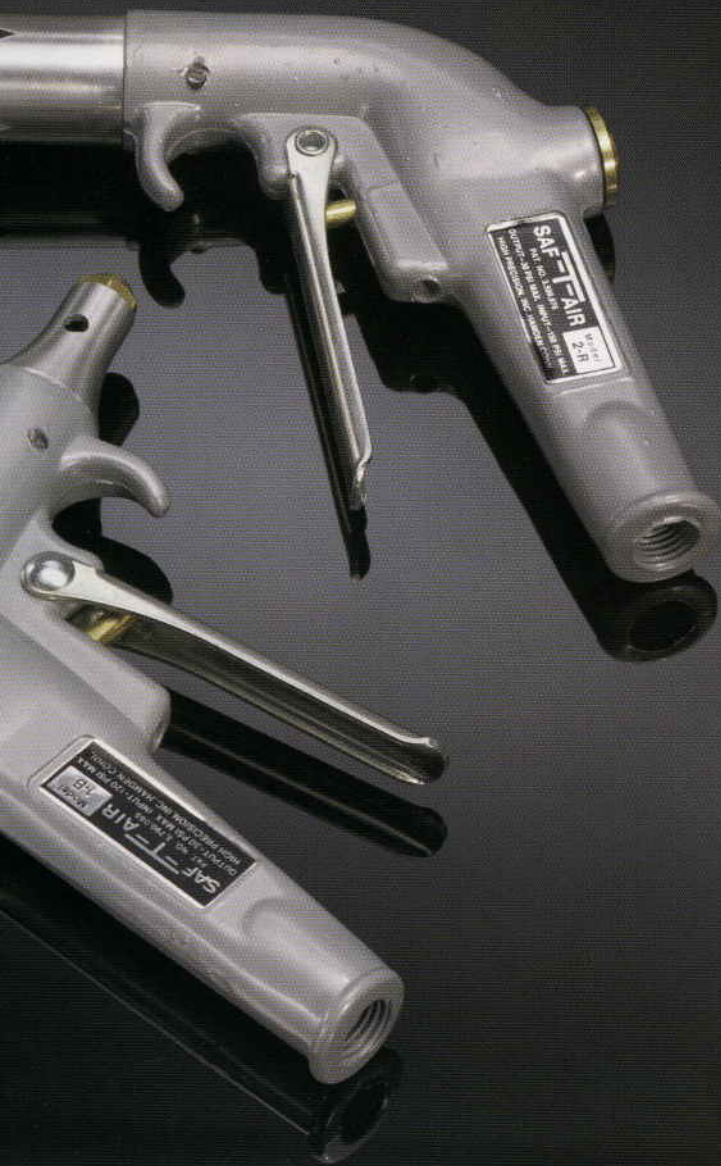
Rugged And Dependable

SAF-T-AIR® blow guns are made from one-piece, precision-machined cast aluminum for years of trouble-free use.

Safety Features Throughout

All SAF-T-AIR® blow guns meet or exceed OSHA codes for pressure, noise, and chip blowback. The ergonomic pistol grip handle permits a comfortable, neutral hand position during use and low fatigue throughout the day.



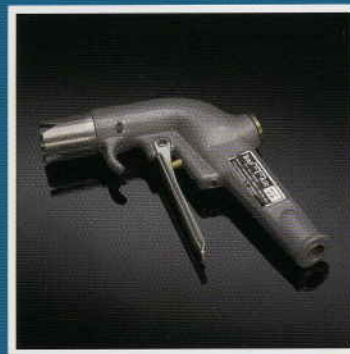


All SAF-T-AIR® blow guns feature a corrosion resistant brass and BUNA-n valve system. This cartridge system can be quickly and economically replaced.



STA-1B Standard of the Industry

The STA-1B features deep-crevice cleaning power for hard-to-reach places. The patented venturi pressure relief system delivers locally amplified air to a precise area while also providing a chip-blowback air shield. Made from lightweight 2024 aircraft aluminum, the nose of the STA-1B is rugged and tough. This gun is perfect for tight spots and heavy, wet applications, as well as where substantial nozzle contact or impact is expected. This gun is available with 3/16" - diameter all-brass extensions in 6" to 18" lengths to reach virtually any location.



STA-2R Engineered for Wide-Path Cleaning

This gun provides versatile dry blowoff capabilities through the use of a rugged wide dispersal nozzle. While still offering pressure relief and chip blowback features, this nozzle delivers a blast of air over a large area. The nose of the STA-2R is also made from 2024 aluminum. This is the ideal choice for rough use on dry, light material applications such as sawdust and plastic chips.



STA-3Q Quiet, Powerful, Economical

The newest addition to our product line, the STA-3Q was designed for noise reduction and maximum performance under all conditions. Besides being 12db quieter than a standard blow gun, the STA-3Q produces an impressive 74% more nozzle thrust. This is the gun of choice for general-purpose cleaning in modern manufacturing assembly, and clean-room.